

# ADREM™

# IERL/SC



**PFA Lined, Structural Composite  
instrument Bleed Ring  
Assemblies**



## Engineered Features:

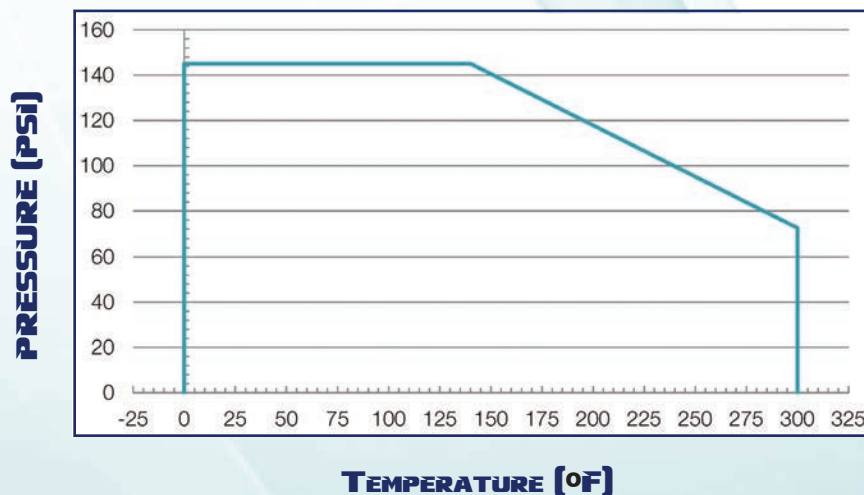
- ◆ Facilitates Safe and Efficient Removal of Pressure and Level Instruments
- ◆ Simplifies the Calibration of Pressure and Level Instruments
- ◆ Environmentally Safe Evacuation of Hazardous Media Prior to Instrument Removal
- ◆ High Integrity, Structurally Superior Full Body Profile
- ◆ Complete Elimination of Fugitive Emissions Associated with Threaded Instrument Connections
- ◆ Lockable Stainless Steel Round Handles Provided on All Drain and Vent Valves
- ◆ 100% Zero Leak Tested Per API 598
- ◆ Optimal Cross Sectional Area Open to Flow Facilitates Instrument Reliability and Accuracy

iERL/SC	Design Standards
Application	Environmentally Safe Evacuation of Process Media from Transmitters, Vessels & Piping
Conforming Standards	ASME B16.5, B16.10, B16.34, API 598, Chlorine Institute Pamphlet #6
Size	2" - 4"
Body/Lining	30% Glass Filled PPS (PFA Lined)
ANSI Class Rating	150#
Temperature Rating	0°F to 300°F
Body Style	Lug, Wafer
Cleaning Preparation	Chlorine, Peroxide & Oxygen

## Product Design:

**ADREM iERL/SC series** (Instrument Evacuation Ring Series) is industry's solution for processes where environmentally **safe evacuation** of hazardous fluids and gases are mandated prior to the removal of pressure or level instruments. Our robust, high integrity, PFA lined 30% GF PPS body features innovative injection molding technology that yields excellent physical properties and internal corrosion resistance. The dimensions of our dead space free design facilitates direct bolting to remote diaphragm sealed and direct mounted instruments. The validated performance of the IERL/SC eliminates historical leak paths associated with traditionally used multi-connection systems thus creating a safer environment and workplace. Ideally suited for fiberglass, dual laminate, non-metallic and schedule 10 piping systems, our innovative technology rivals the physical properties of lined metal components with a **60% weight savings**.

### PFA Lined 30% GFPPS iERL/SC



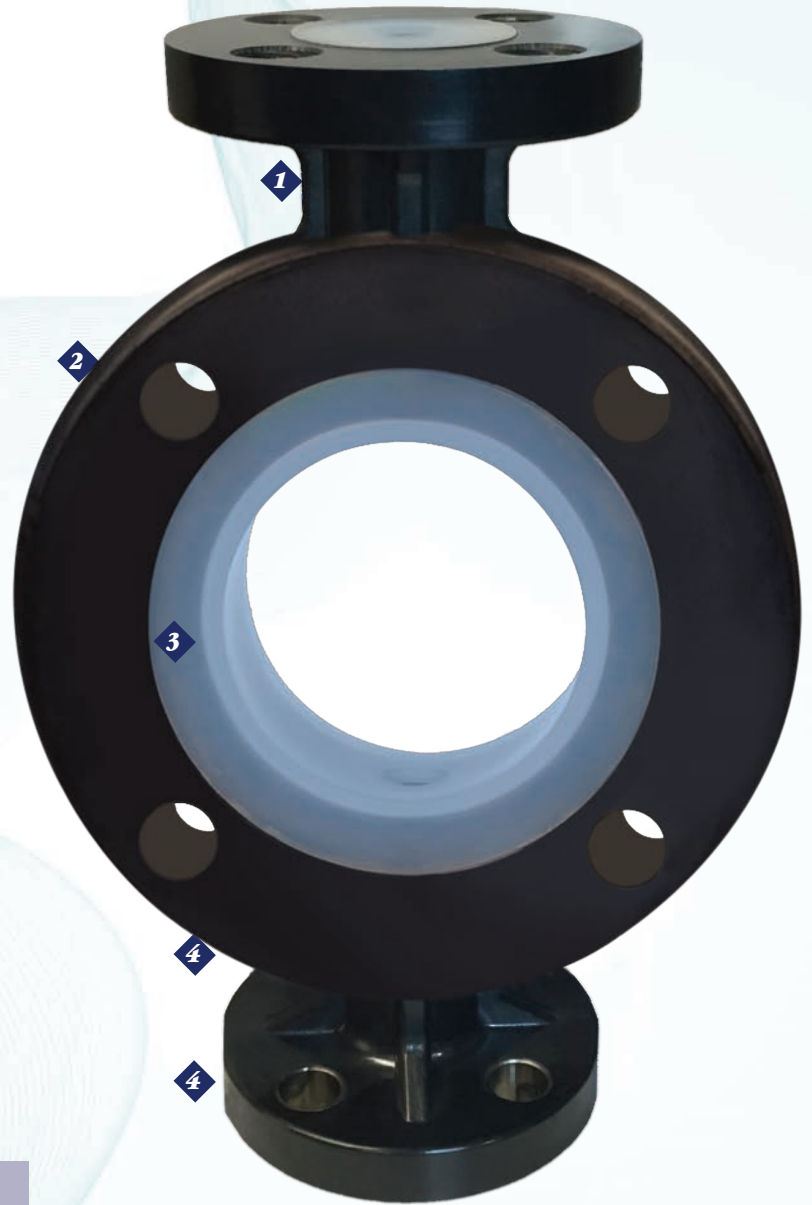
# iERL/SC Design Detail

1 Integrally Molded, Reinforced Flange Gussets

2 Structurally Superior, High Integrity Full Body

3 Superior Permeation & Corrosion Resistance  
(Minimum .200" PFA Lining)

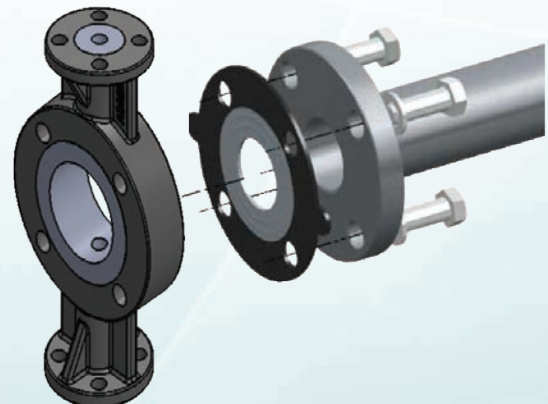
4 Over-molded Metallic Body and Flange Insets



Size	Flange Bolt Torque in-Lb
1"	182
2"	229
3"	271
4"	362

## Installation Detail

- Do not exceed recommended installation bolt torque
- Consult ADREM when bolting to raised face flanges
- Full face gasket and flat faced flanges preferred
- Lubricate bolts before installation



# I<sup>ERL</sup>/SC SERIES

## Ordering Information

### I<sup>ERL</sup>-SC

#### 1-Size

2"  
3"  
4"

#### 2-Body Material

C - 30% GF PPS/PFA

#### 3-ADREM Valve Type

B1 - 1" BLE/SC Series 30% GF PPS/PFA Lined Ball Valve  
B2 - 1" DVL/SC Series 30% GF PPS/PFA Lined Diaphragm Valve  
B0 - Not Required

#### 4-# of Valves

V1 - Bottom  
V2 - Top & Bottom  
V0 - Not Required

#### 5-Valve End Seals

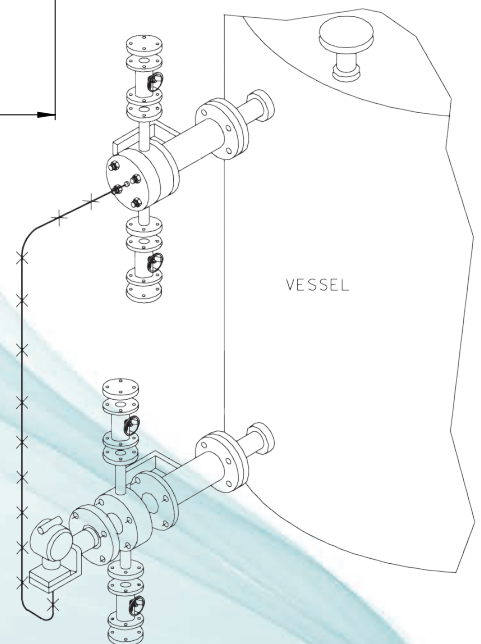
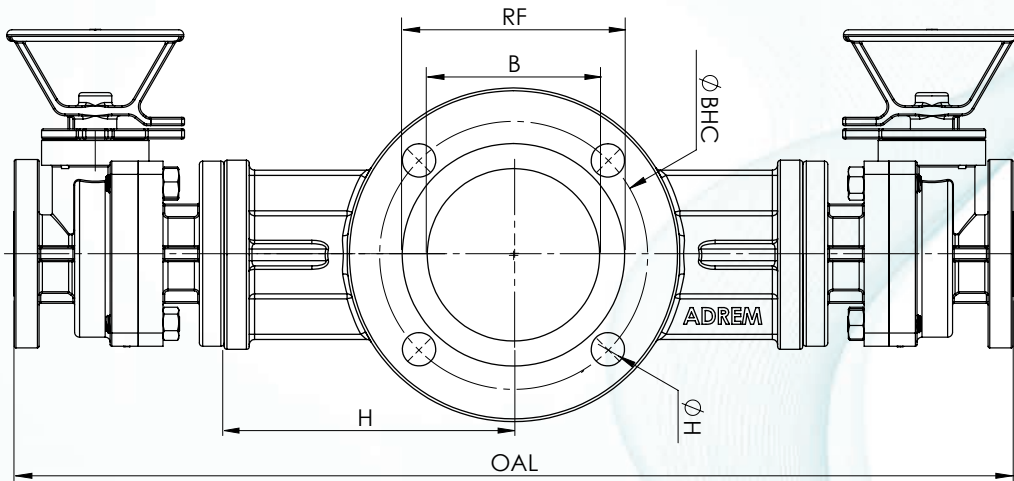
F1 - 1 PTFE Lined Blind Flange 30% GF PPS  
F2 - 2 PTFE Lined Blind Flange 30% GF PPS  
F0 - Not Required

#### 6-Cleaning

S - Standard  
C - Chlorine  
O - Oxygen  
P - Peroxide

I <sup>ERL</sup> /SC	RF	B	H	OAL	ØBHC	ØH	Weight*
2"	3.63"	2.38"	5.02"	21.10"	4.75"	4 x 3/4"	18.0
3"	5.00"	3.50"	5.61"	22.25"	6.00"	4 x 3/4"	19.5
4"	6.25"	4.06"	6.50"	24.05"	7.50"	8 x 3/4"	20.9

\* Refers to weight of I<sup>ERL</sup>/SC assembly with two BLE/SC valves



## ADREM™

Severe Service Specialists Inc.  
4251 Praytor Way Suite 121  
Trussville, AL 35173

205-655-1163  
ssvalve.com

\* Other materials available upon request

**ADREM** is a trademark of  
Severe Service Specialists, Inc.

The information and specifications contained within the literature are believed to be accurate. The data is for informative purposes only and should not be considered certified or as a guarantee of satisfactory results by reliance thereon. Nothing contained herein is to be construed as a warranty or guarantee, express or implied, regarding any matter with respect to this product. Should any questions arise, the purchaser/user should contact Severe Service Specialists.

©2020 Severe Service Specialists Inc, Trussville, Alabama USA. All rights reserved.

Printed 0620